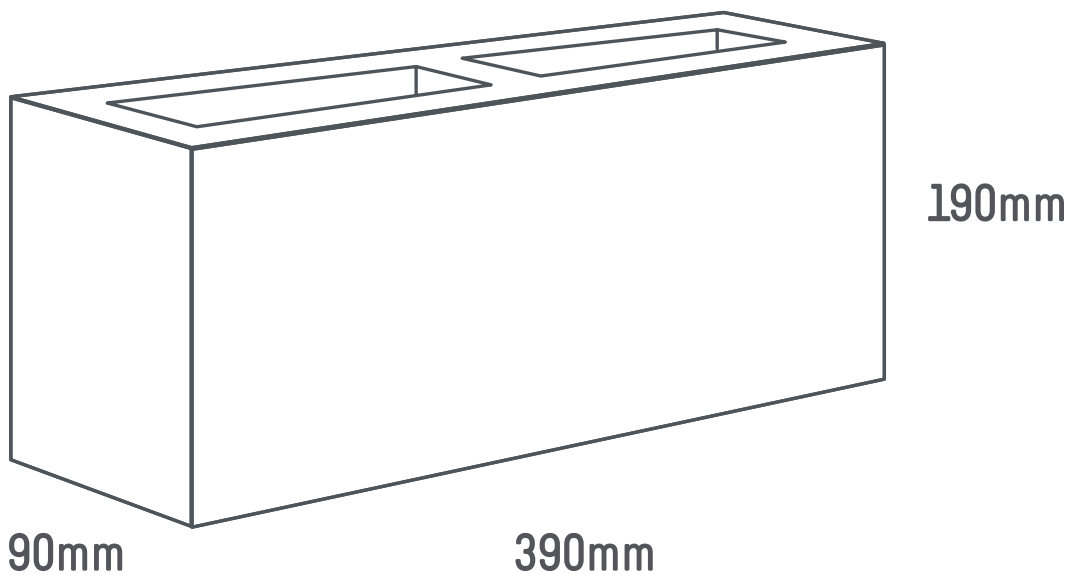


## BLOCK SPECIFICATIONS



# 124 STANDARD HOLLOW FULL

► **Manufactured by Modular Masonry**

Manufactured in accordance with:	AS3700 & AS2733
Minimum Compressive Strength Grade:	12Mpa or greater
Configuration:	90mm W x 190mm H x 390mm L
Approximate weight of block:	10.85 Kg
Approximate weight of pallet:	1628 Kg
Number per pallet:	180
Number per square metre:	12.5
A cubic metre of grout will fill approximately:	-
Fire Resistance (Insulation value):	60 minutes
Sound Attenuation (Bare):	STC/MASS (Kg/M2) less than 43/136
Density (Kg/M3):	2000 Kg/M3

The above information replaces all previous masonry brochures and is subject to change without notice.



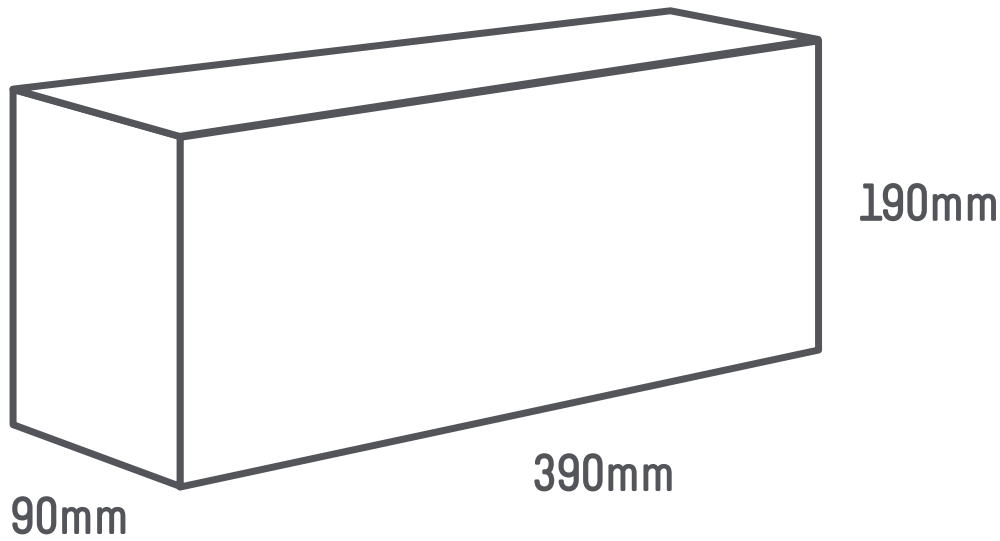
**MODULAR**  
MASONRY

8 Hurrell Way, Rockingham | T 9527 3201  
sales@modularmasonry.com.au

modularmasonry.com.au



## BLOCK SPECIFICATIONS



# 1240 STANDARD SOLID FULL

► **Manufactured by Modular Masonry**

Manufactured in accordance with:	AS3700 & AS2733
Minimum Compressive Strength Grade:	12Mpa or greater
Configuration:	90mm W x 190mm H x 390mm L
Approximate weight of block:	14.25 Kg
Approximate weight of pallet:	2137 Kg
Number per pallet:	180
Number per square metre:	12.5
A cubic metre of grout will fill approximately:	-
Fire Resistance (Insulation value):	60 minutes
Sound Attenuation (Bare):	STC/MASS (Kg/M2) less than 46/180
Density (Kg/M3):	2000 Kg/M3
Thermal Resistance, R (m2. K/W)	0.10 (Block only)



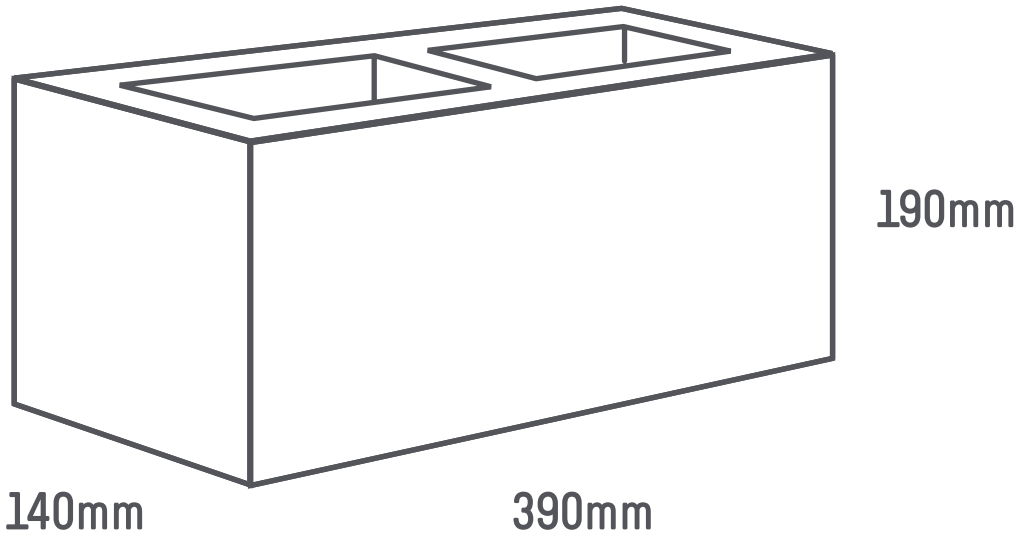
**MODULAR**  
MASONRY

8 Hurrell Way, Rockingham | T 9527 3201  
sales@modularmasonry.com.au

modularmasonry.com.au



## BLOCK SPECIFICATIONS



# 1.524 STANDARD HOLLOW FULL

► **Manufactured by Modular Masonry**

Manufactured in accordance with:	AS3700 & AS2733
Minimum Compressive Strength Grade:	12Mpa or greater
Configuration:	140mm W x 190mm H x 390mm L
Approximate weight of block:	12.50Kg
Approximate weight of pallet:	1425Kg
Number per pallet:	144
Number per square metre:	12.5
A cubic metre of grout will fill approximately:	14.7 M2 every core
Fire Resistance (Insulation value):	60 minutes
Sound Attenuation (Bare):	STC/MASS (Kg/M2) 44/180
Density (Kg/M3):	2000 Kg/M3
Thermal Resistance, R (m2. K/W)	0.15 (Block only)



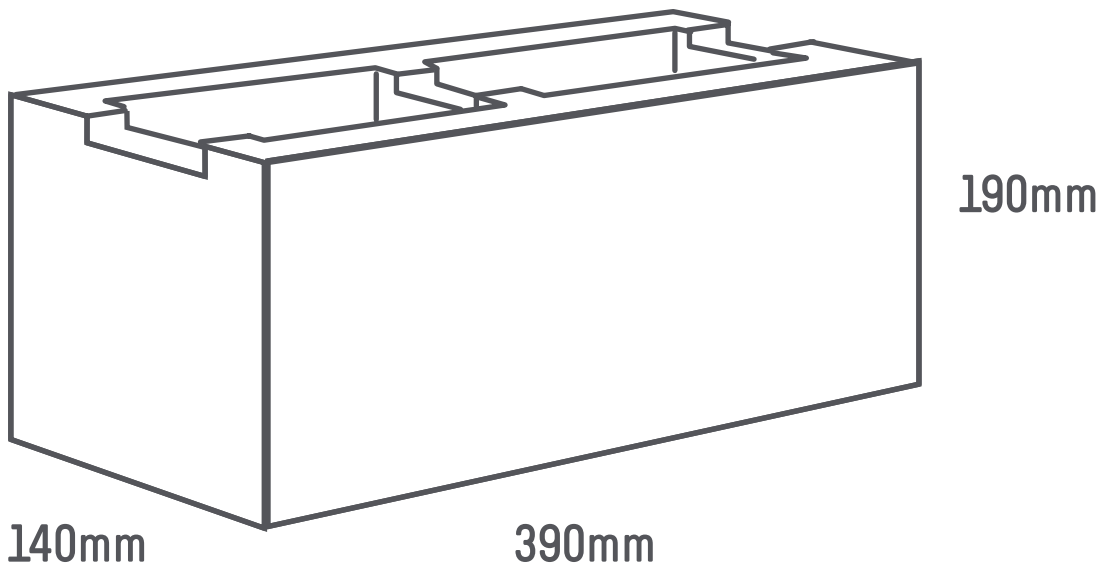
**MODULAR**  
MASONRY

8 Hurrell Way, Rockingham | T 9527 3201  
sales@modularmasonry.com.au

modularmasonry.com.au



## BLOCK SPECIFICATIONS



# 1.524 HR TROUGH BLOCK

► **Manufactured by Modular Masonry**

Manufactured in accordance with:	AS3700 & AS2733
Minimum Compressive Strength Grade:	12Mpa or greater
Configuration:	140mm W x 190mm H x 390mm L
Approximate weight of block:	12.50Kg
Approximate weight of pallet:	1425Kg
Number per pallet:	144
Number per square metre:	12.5
A cubic metre of grout will fill approximately:	14.7 M2 every core
Fire Resistance (Insulation value):	60 minutes
Sound Attenuation (Bare):	STC/MASS (Kg/M2) 44/180
Density (Kg/M3):	2000 Kg/M3

The above information replaces all previous masonry brochures and is subject to change without notice.



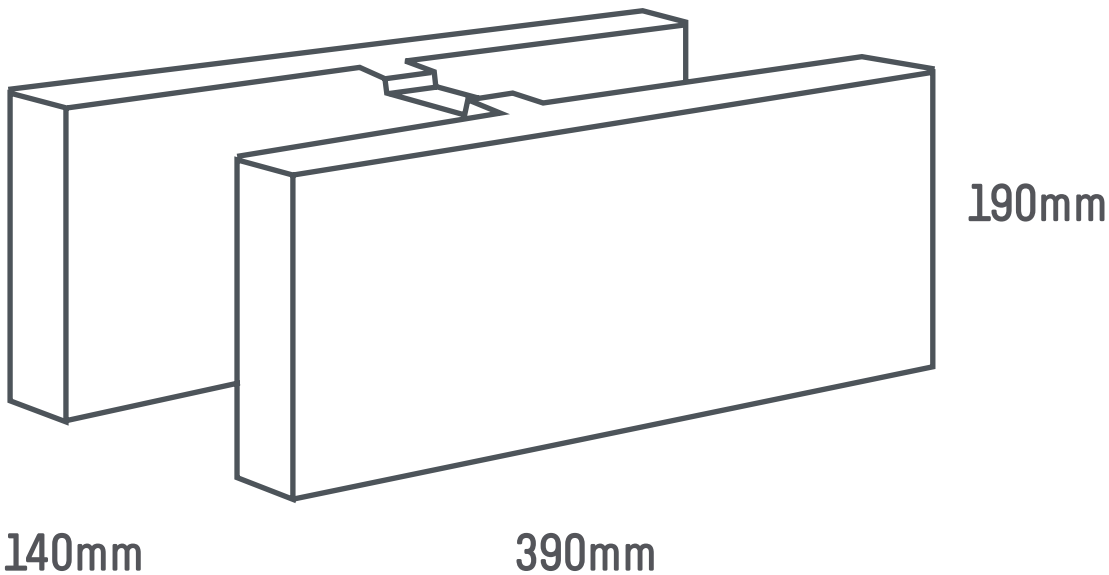
**MODULAR**  
MASONRY

8 Hurrell Way, Rockingham | T 9527 3201  
sales@modularmasonry.com.au

modularmasonry.com.au



# BLOCK SPECIFICATIONS



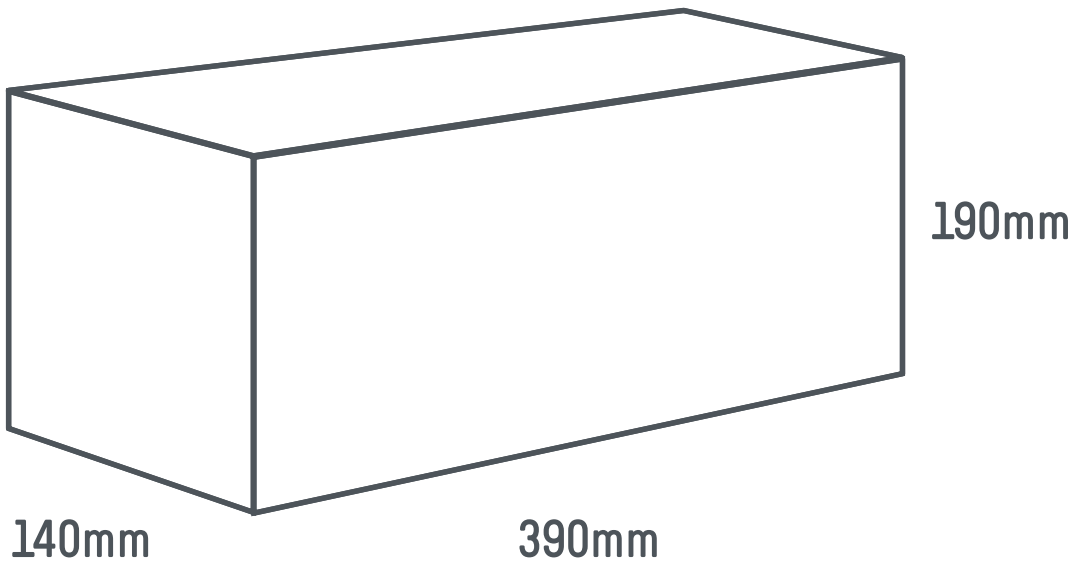
## 1.524 H TROUGH BLOCK

► **Manufactured by Modular Masonry**

Manufactured in accordance with:	AS3700 & AS2733
Minimum Compressive Strength Grade:	12Mpa or greater
Configuration:	140mm W x 190mm H x 390mm L
Approximate weight of block:	14.00Kg
Approximate weight of pallet:	1596Kg
Number per pallet:	144
Number per square metre:	12.5
A cubic metre of grout will fill approximately:	14.0 M2 every core
Fire Resistance (Insulation value):	60 minutes
Sound Attenuation (Bare):	STC/MASS (Kg/M2) 44/180
Density (Kg/M3):	2000 Kg/M3

The above information replaces all previous masonry brochures and is subject to change without notice.

## BLOCK SPECIFICATIONS



# 1.5240 STANDARD SOLID FULL

► **Manufactured by Modular Masonry**

Manufactured in accordance with:	AS3700 & AS2733
Minimum Compressive Strength Grade:	12Mpa
Configuration:	140mm W x 190mm H x 390mm L
Approximate weight of block:	22.73 Kg
Approximate weight of pallet:	2159 Kg
Number per pallet:	120
Number per square metre:	12.5
A cubic metre of grout will fill approximately:	-
Fire Resistance (Insulation value):	160 minutes
Sound Attenuation (Bare):	STC/MASS (Kg/M2) 52/308
Density (Kg/M3):	2200 Kg/M3

The above information replaces all previous masonry brochures and is subject to change without notice.



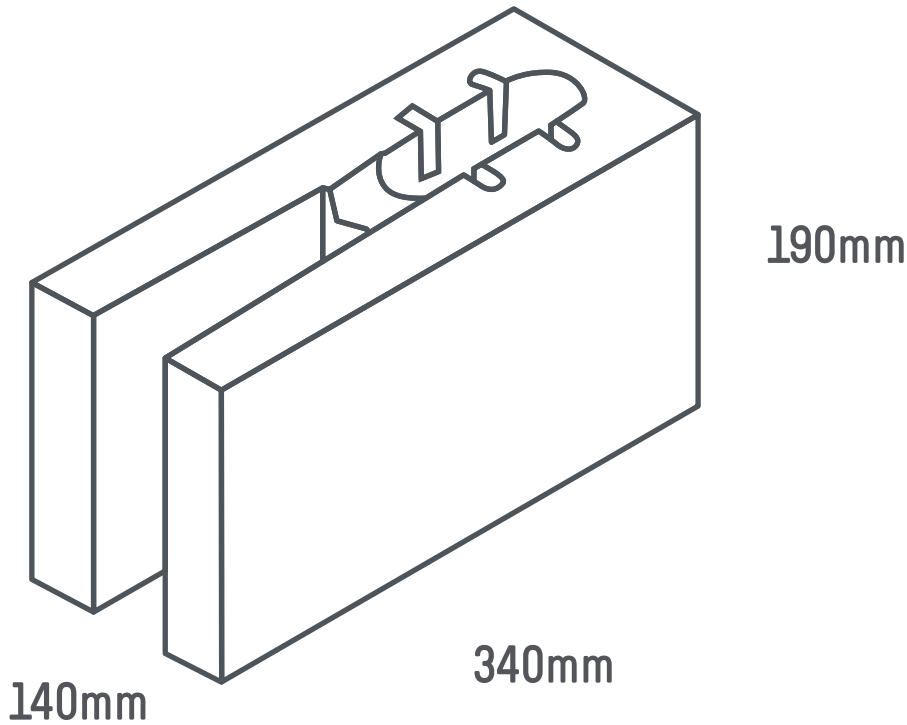
**MODULAR**  
MASONRY

8 Hurrell Way, Rockingham | T 9527 3201  
sales@modularmasonry.com.au

modularmasonry.com.au



## BLOCK SPECIFICATIONS



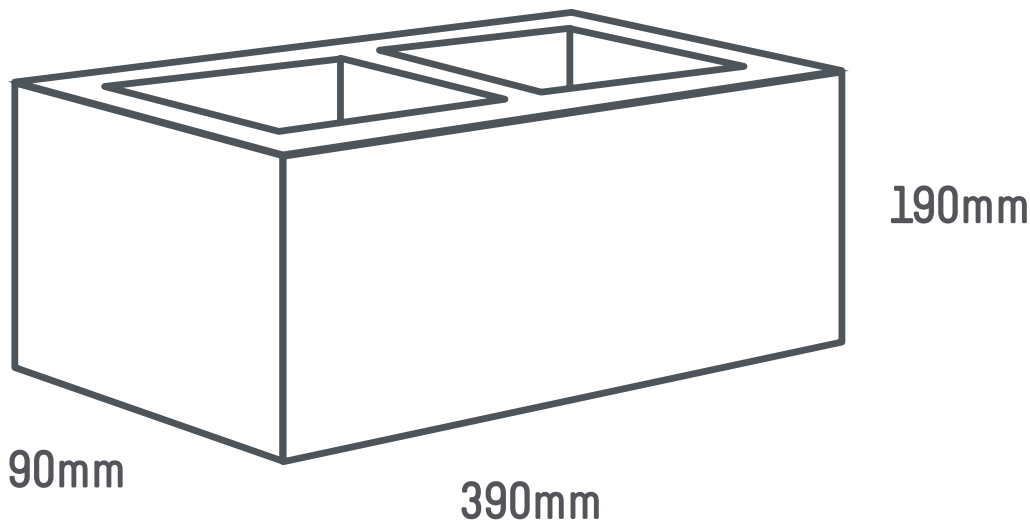
# 1.523HQ “H” BLOCK CORNER

► **Manufactured by Modular Masonry**

Manufactured in accordance with:	AS3700 & AS2733
Minimum Compressive Strength Grade:	12Mpa or greater
Configuration:	140mm W x 190mm H x 340mm L
Approximate weight of block:	12.31 Kg
Approximate weight of pallet:	1624 Kg
Number per pallet:	144
Number per square metre:	NA
A cubic metre of grout will fill approximately:	-
Fire Resistance (Insulation value):	60 minutes
Sound Attenuation (Bare):	STC/MASS (Kg/M2) 44/175
Density (Kg/M3):	2200 Kg/M3

The above information replaces all previous masonry brochures and is subject to change without notice.

## BLOCK SPECIFICATIONS



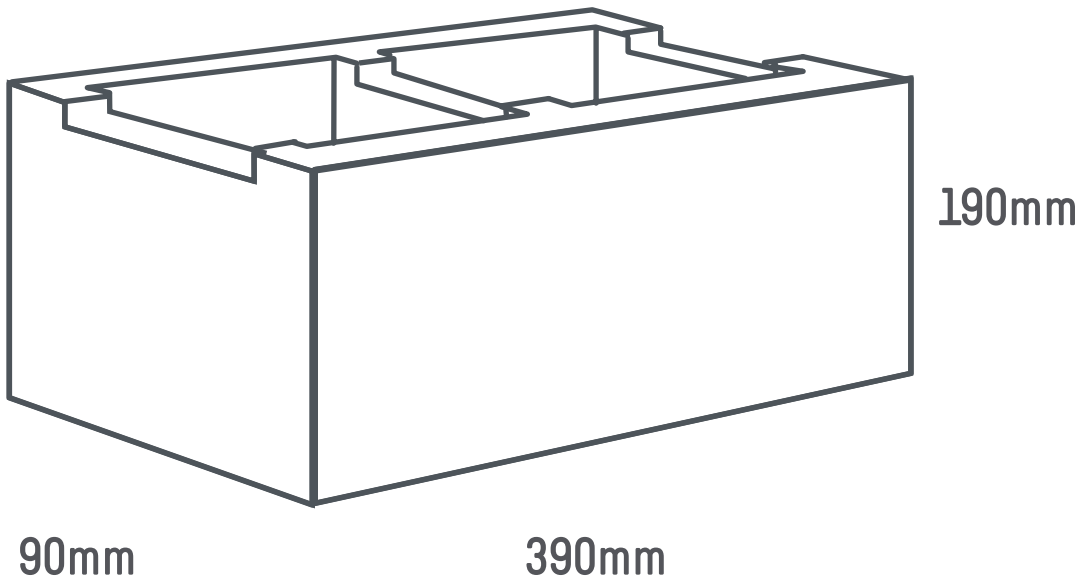
# 224 STANDARD HOLLOW FULL

► **Manufactured by Modular Masonry**

Manufactured in accordance with:	AS3700 & AS2733
Minimum Compressive Strength Grade:	12Mpa or greater
Configuration:	190mm W x 190mm H x 390mm L
Approximate weight of block:	16.13 Kg
Approximate weight of pallet:	1452 Kg
Number per pallet:	108
Number per square metre:	12.5
A cubic metre of grout will fill approximately:	10 M <sup>2</sup> every core
Fire Resistance (Insulation value):	105 minutes
Sound Attenuation (Bare):	STC/MASS (Kg/M2) 45/200
Density (Kg/M3):	2000 Kg/M3
Thermal Resistance, R (m2. K/W)	0.20 (Block only)



## BLOCK SPECIFICATIONS



# 224 HR TROUGH BLOCK

► **Manufactured by Modular Masonry**

Manufactured in accordance with:	AS3700 & AS2733
Minimum Compressive Strength Grade:	12Mpa or greater
Configuration:	190mm W x 190mm H x 390mm L
Approximate weight of block:	16.13 Kg
Approximate weight of pallet:	1452 Kg
Number per pallet:	108
Number per square metre:	12.5
A cubic metre of grout will fill approximately:	10 M2 every core
Fire Resistance (Insulation value):	105 minutes
Sound Attenuation (Bare):	STC/MASS (Kg/M2) 45/200
Density (Kg/M3):	2000 Kg/M3
Thermal Resistance, R (m2. K/W)	0.20 (Block only)



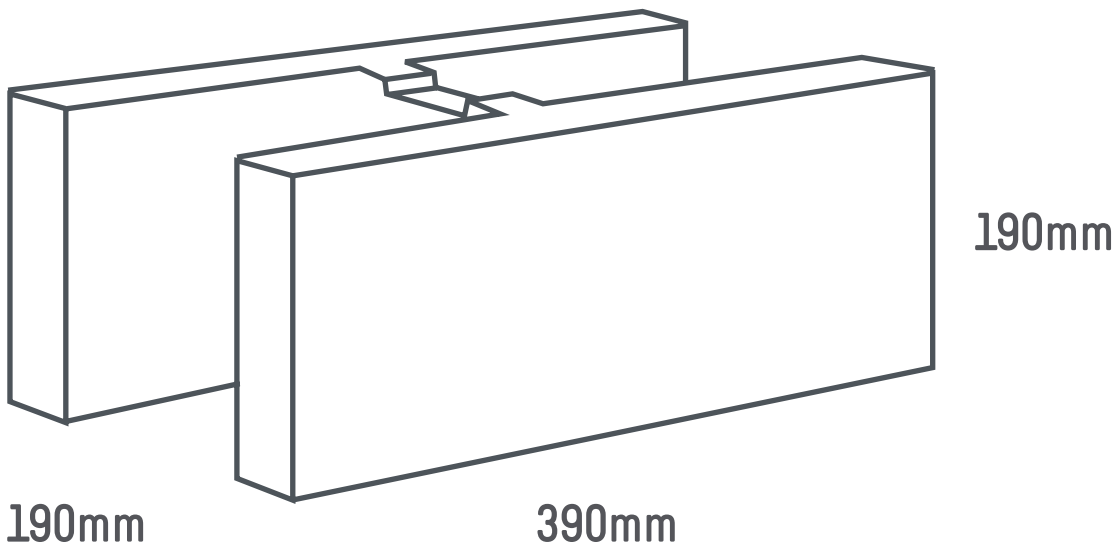
**MODULAR**  
MASONRY

8 Hurrell Way, Rockingham | T 9527 3201  
sales@modularmasonry.com.au

modularmasonry.com.au



## BLOCK SPECIFICATIONS



# 224 H TROUGH BLOCK

► **Manufactured by Modular Masonry**

Manufactured in accordance with:	AS3700 & AS2733
Minimum Compressive Strength Grade:	12Mpa or greater
Configuration:	190mm W x 190mm H x 390mm L
Approximate weight of block:	13.80 Kg
Approximate weight of pallet:	1242 Kg
Number per pallet:	108
Number per square metre:	12.5
A cubic metre of grout will fill approximately:	9.1 M2 every core
Fire Resistance (Insulation value):	90mins bare, 240 mins core filled
Sound Attenuation (Bare):	STC/MASS (Kg/M2) 41/172
Density (Kg/M3):	2000 Kg/M3

The above information replaces all previous masonry brochures and is subject to change without notice.



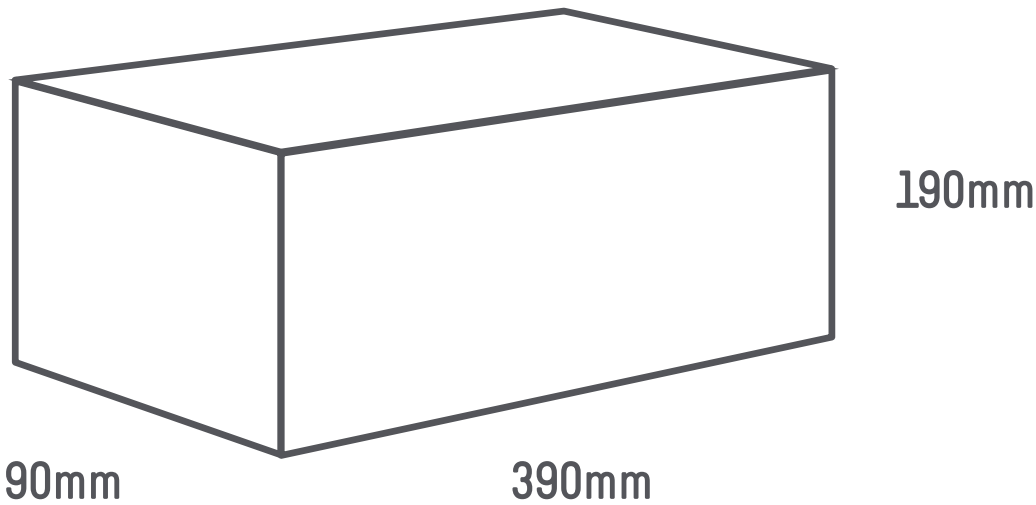
**MODULAR**  
MASONRY

8 Hurrell Way, Rockingham | T 9527 3201  
sales@modularmasonry.com.au

modularmasonry.com.au



# BLOCK SPECIFICATIONS



## 2240 STANDARD HOLLOW FULL

► **Manufactured by Modular Masonry**

Manufactured in accordance with:	AS3700 & AS2733
Minimum Compressive Strength Grade:	12Mpa or greater
Configuration:	190mm W x 190mm H x 390mm L
Approximate weight of block:	29.41 Kg
Approximate weight of pallet:	2205 Kg
Number per pallet:	90
Number per square metre:	12.5
A cubic metre of grout will fill approximately:	-
Fire Resistance (Insulation value):	240 minutes
Sound Attenuation (Bare):	STC/MASS (Kg/M2) 55/375
Density (Kg/M3):	2000 Kg/M3

The above information replaces all previous masonry brochures and is subject to change without notice.



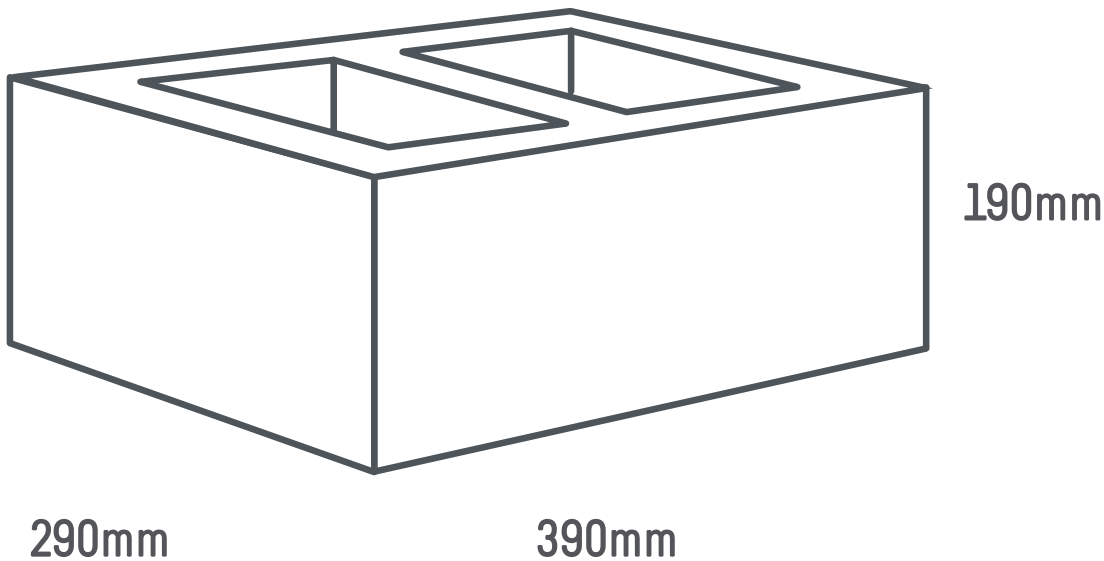
**MODULAR**  
MASONRY

8 Hurrell Way, Rockingham | T 9527 3201  
sales@modularmasonry.com.au

modularmasonry.com.au



## BLOCK SPECIFICATIONS



# 324 STANDARD HOLLOW FULL

► **Manufactured by Modular Masonry**

Manufactured in accordance with:	AS3700 & AS2733
Minimum Compressive Strength Grade:	12Mpa or greater
Configuration:	290mm W x 190mm H x 390mm L
Approximate weight of block:	22.2 Kg
Approximate weight of pallet:	1333 Kg
Number per pallet:	72
Number per square metre:	12.5
A cubic metre of grout will fill approximately:	7 M2 every core
Fire Resistance (Insulation value):	180 minutes
Sound Attenuation (Bare):	STC/MASS (Kg/M2) 52/275
Density (Kg/M3):	2000 Kg/M3

The above information replaces all previous masonry brochures and is subject to change without notice.



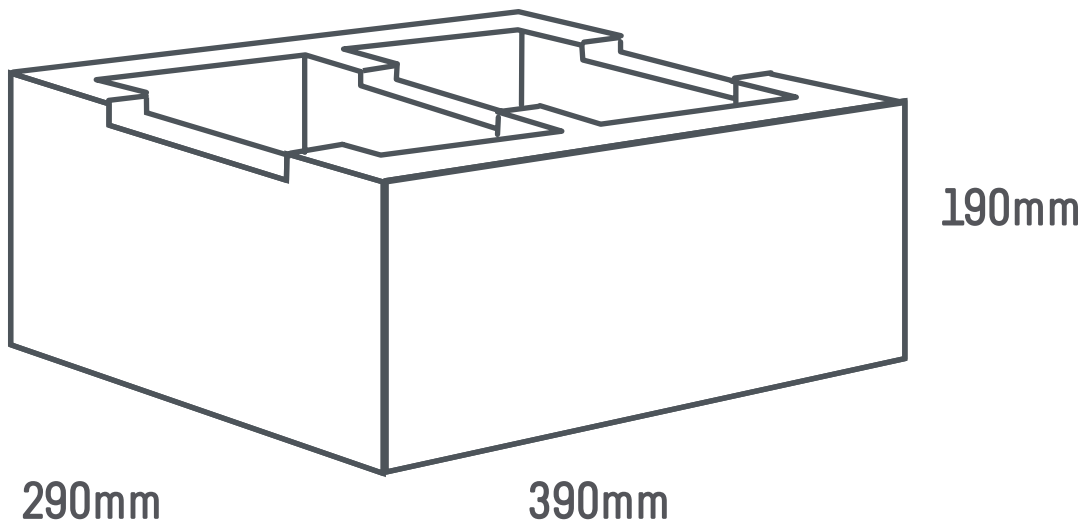
**MODULAR**  
MASONRY

8 Hurrell Way, Rockingham | T 9527 3201  
sales@modularmasonry.com.au

modularmasonry.com.au



## BLOCK SPECIFICATIONS



# 324 HR TROUGH BLOCK

► **Manufactured by Modular Masonry**

Manufactured in accordance with:	AS3700 & AS2733
Minimum Compressive Strength Grade:	12Mpa or greater
Configuration:	290mm W x 190mm H x 390mm L
Approximate weight of block:	22.22 Kg
Approximate weight of pallet:	1333 Kg
Number per pallet:	72
Number per square metre:	12.5
A cubic metre of grout will fill approximately:	7 M2 every core
Fire Resistance (Insulation value):	180 minutes
Sound Attenuation (Bare):	STC/MASS (Kg/M2) 52/275
Density (Kg/M3):	2000 Kg/M3

The above information replaces all previous masonry brochures and is subject to change without notice.



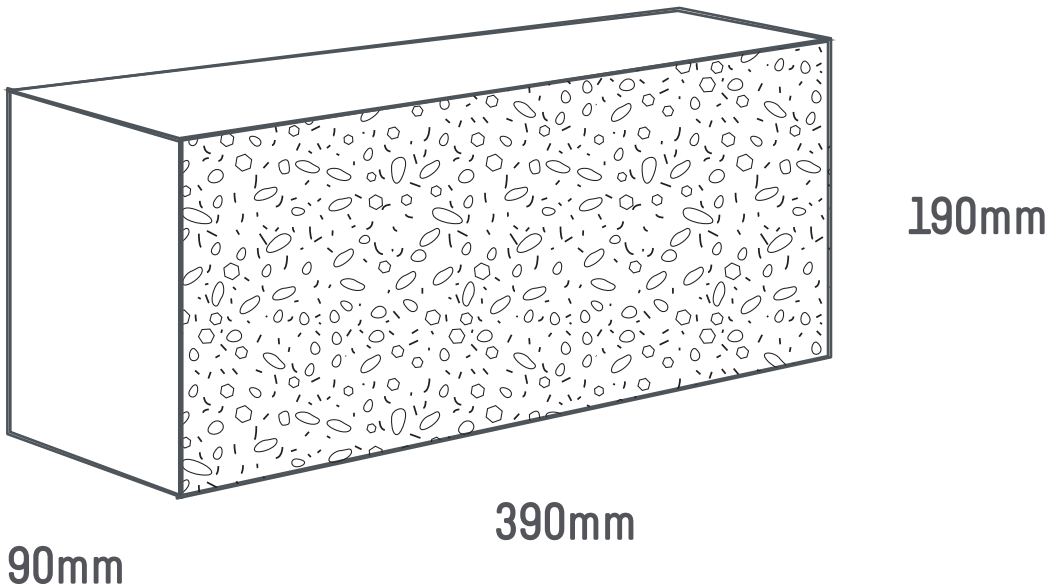
**MODULAR**  
MASONRY

8 Hurrell Way, Rockingham | T 9527 3201  
sales@modularmasonry.com.au

modularmasonry.com.au



## BLOCK SPECIFICATIONS



# 1240SB SOLID SPLITFACE FULL

► **Manufactured by Modular Masonry**

Manufactured in accordance with:	AS3700 & AS2733
Minimum Compressive Strength Grade:	12Mpa or greater
Configuration:	90mm W x 190mm H x 390mm L
Approximate weight of block:	14.28 Kg
Approximate weight of pallet:	2142 Kg
Number per pallet:	180
Number per square metre:	12.5
A cubic metre of grout will fill approximately:	-
Fire Resistance (Insulation value):	60 minutes
Sound Attenuation (Bare):	STC/MASS (Kg/M2) less than 43/136
Density (Kg/M3):	2000 Kg/M3
Thermal Resistance, R (m2. K/W)	0.10 (Block only)



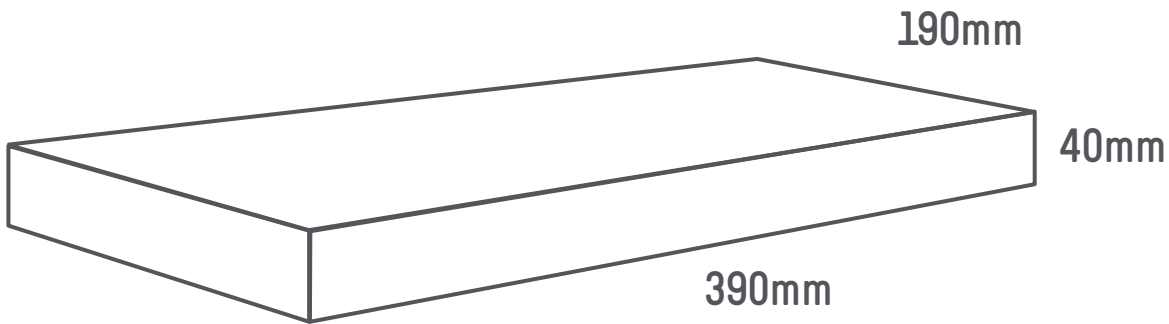
**MODULAR**  
MASONRY

8 Hurrell Way, Rockingham | T 9527 3201  
sales@modularmasonry.com.au

modularmasonry.com.au



# BLOCK SPECIFICATIONS



## P2 SOLID FULL - CAP

► **Manufactured by Modular Masonry**

Manufactured in accordance with:	AS3700 & AS2733
Minimum Compressive Strength Grade:	12Mpa or greater
Configuration:	40mm W x 190mm H x 390mm L
Approximate weight of block:	6.67 Kg
Approximate weight of pallet:	2001 Kg
Number per pallet:	300
Number per square metre:	12.5
A cubic metre of grout will fill approximately:	-
Fire Resistance (Insulation value):	-
Sound Attenuation (Bare):	-

The above information replaces all previous masonry brochures and is subject to change without notice.



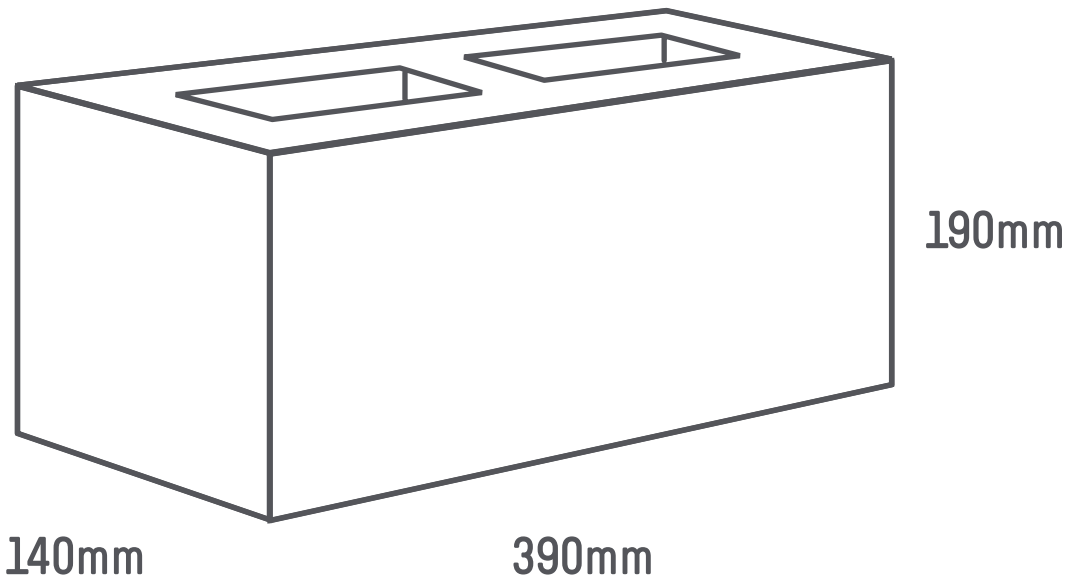
**MODULAR**  
MASONRY

8 Hurrell Way, Rockingham | T 9527 3201  
sales@modularmasonry.com.au

modularmasonry.com.au



## BLOCK SPECIFICATIONS



# 1.524FR FIRE RATED BLOCK

► **Manufactured by Modular Masonry**

Manufactured in accordance with:	AS3700 & AS2733
Minimum Compressive Strength Grade:	12Mpa or greater
Configuration:	140mm W x 190mm H x 390mm L
Approximate weight of block:	19.50 Kg
Approximate weight of pallet:	1852 Kg
Number per pallet:	95
Number per square metre:	12.5
A cubic metre of grout will fill approximately:	-
Fire Resistance (Insulation value):	120 minutes
Sound Attenuation (Bare):	STC/MASS (Kg/M <sup>2</sup> ) 49/243
Density (Kg/M <sup>3</sup> ):	2200 Kg/M <sup>3</sup>

The above information replaces all previous masonry brochures and is subject to change without notice.