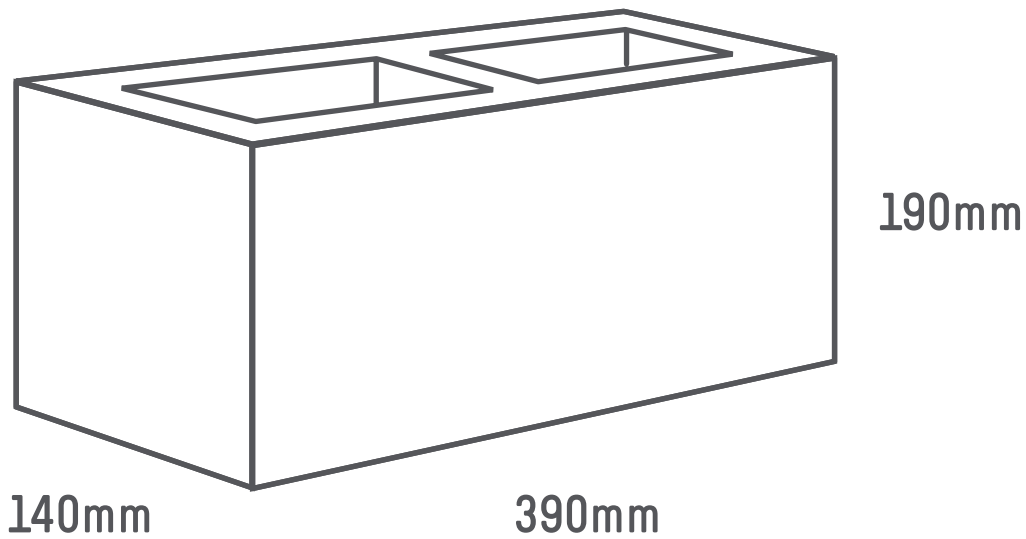


BLOCK SPECIFICATIONS



1.524 STANDARD HOLLOW FULL

► **Manufactured by Modular Masonry**

Manufactured in accordance with:	AS3700 & AS2733
Minimum Compressive Strength Grade:	12Mpa or greater
Configuration:	140mm W x 190mm H x 390mm L
Approximate weight of block:	12.50Kg
Approximate weight of pallet:	1800Kg
Number per pallet:	144
Number per square metre:	12.5
A cubic metre of grout will fill approximately:	14.7 M2 every core
Fire Resistance (Insulation value):	60 minutes
Sound Attenuation (Bare):	STC/MASS (Kg/M2) 44/180
Density (Kg/M3):	2000 Kg/M3
Thermal Resistance, R (m2. K/W)	0.15 (Block only)