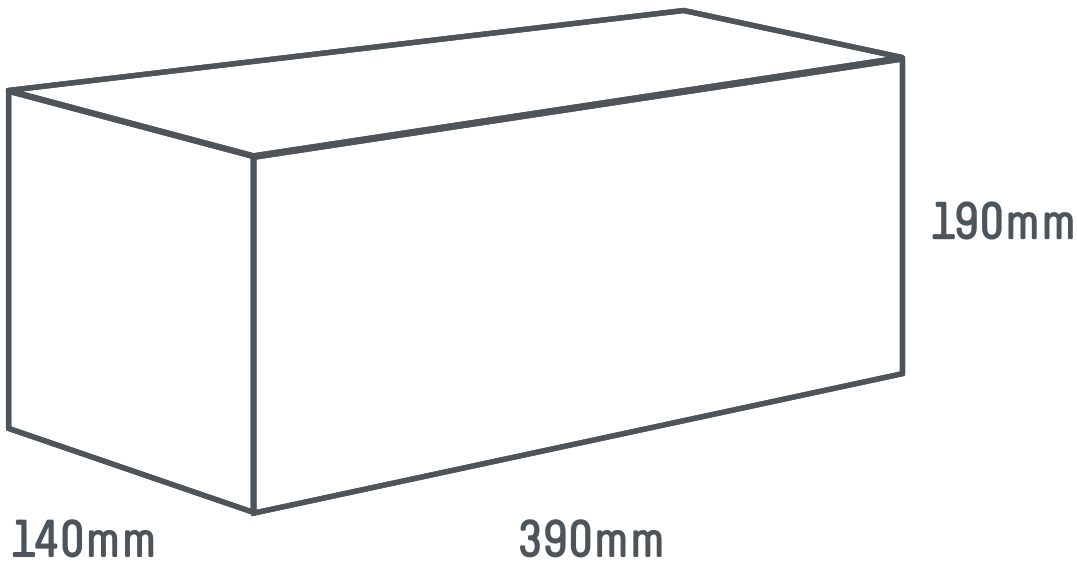


BLOCK SPECIFICATIONS



1.5240 STANDARD SOLID FULL

► **Manufactured by Modular Masonry**

Manufactured in accordance with:	AS3700 & AS2733
Minimum Compressive Strength Grade:	12Mpa
Configuration:	140mm W x 190mm H x 390mm L
Approximate weight of block:	22.73 Kg
Approximate weight of pallet:	2727 Kg
Number per pallet:	120
Number per square metre:	12.5
A cubic metre of grout will fill approximately:	-
Fire Resistance (Insulation value):	160 minutes
Sound Attenuation (Bare):	STC/MASS (Kg/M2) 52/308
Density (Kg/M3):	2200 Kg/M3

The above information replaces all previous masonry brochures and is subject to change without notice.