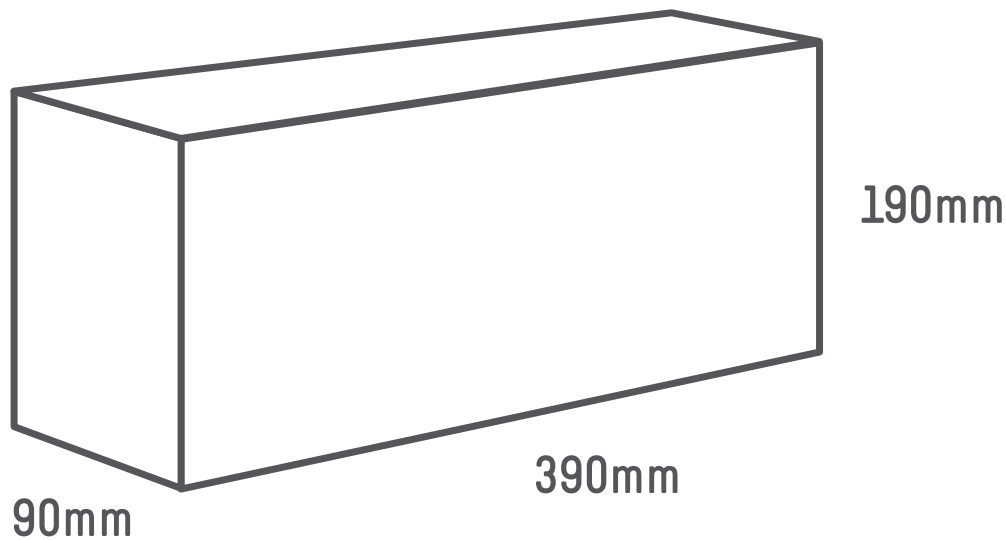


## BLOCK SPECIFICATIONS



# 1240 STANDARD SOLID FULL

► **Manufactured by Modular Masonry**

Manufactured in accordance with:	AS3700 & AS2733
Minimum Compressive Strength Grade:	12Mpa or greater
Configuration:	90mm W x 190mm H x 390mm L
Approximate weight of block:	14.25 Kg
Approximate weight of pallet:	2565 Kg
Number per pallet:	180
Number per square metre:	12.5
A cubic metre of grout will fill approximately:	-
Fire Resistance (Insulation value):	60 minutes
Sound Attenuation (Bare):	STC/MASS (Kg/M2) less than 46/180
Density (Kg/M3):	2000 Kg/M3
Thermal Resistance, R (m2. K/W)	0.10 (Block only)