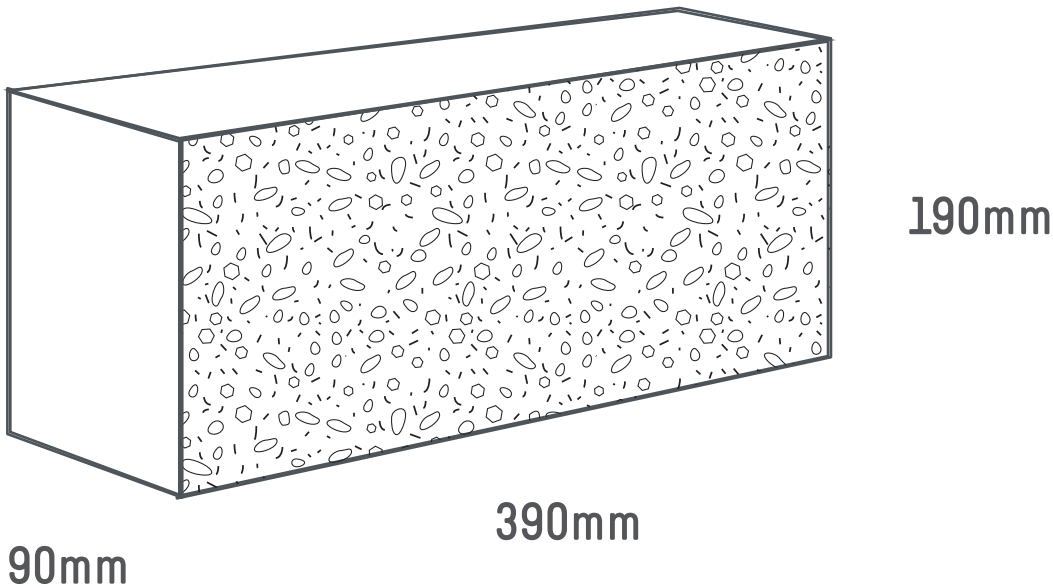


BLOCK SPECIFICATIONS



1240SB SOLID SPLITFACE FULL

► **Manufactured by Modular Masonry**

Manufactured in accordance with:	AS3700 & AS2733
Minimum Compressive Strength Grade:	12Mpa or greater
Configuration:	90mm W x 190mm H x 390mm L
Approximate weight of block:	14.28 Kg
Approximate weight of pallet:	2570 Kg
Number per pallet:	180
Number per square metre:	12.5
A cubic metre of grout will fill approximately:	-
Fire Resistance (Insulation value):	60 minutes
Sound Attenuation (Bare):	STC/MASS (Kg/M2) less than 43/136
Density (Kg/M3):	2000 Kg/M3
Thermal Resistance, R (m2. K/W)	0.10 (Block only)



MODULAR
MASONRY

8 Hurrell Way, Rockingham | T 9527 3201
sales@modularmasonry.com.au

modularmasonry.com.au

