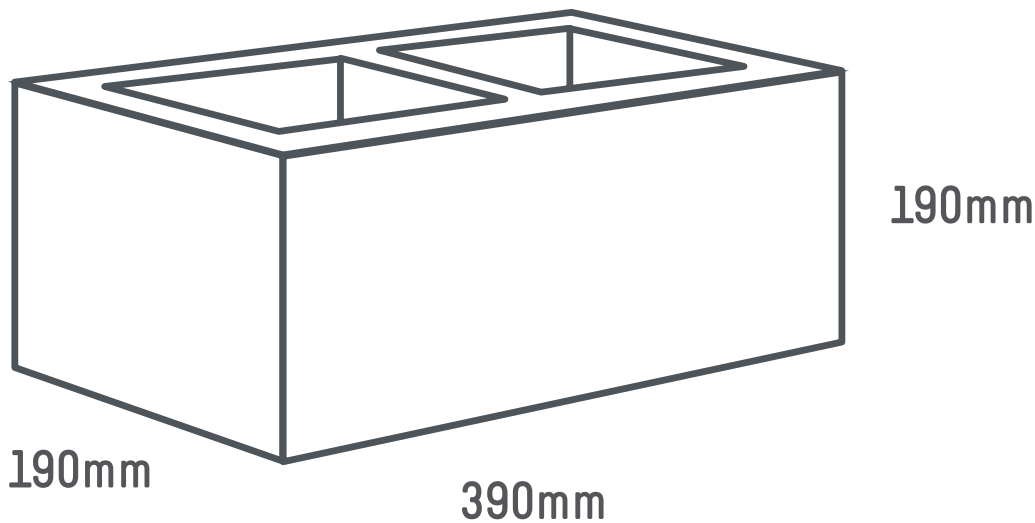


## BLOCK SPECIFICATIONS



# 224 STANDARD HOLLOW FULL

► **Manufactured by Modular Masonry**

Manufactured in accordance with:	AS3700 & AS2733
Minimum Compressive Strength Grade:	12Mpa or greater
Configuration:	190mm W x 190mm H x 390mm L
Approximate weight of block:	16.13 Kg
Approximate weight of pallet:	1742 Kg
Number per pallet:	108
Number per square metre:	12.5
A cubic metre of grout will fill approximately:	10 M <sup>2</sup> every core
Fire Resistance (Insulation value):	105 minutes
Sound Attenuation (Bare):	STC/MASS (Kg/M <sup>2</sup> ) 45/200
Density (Kg/M <sup>3</sup> ):	2000 Kg/M <sup>3</sup>
Thermal Resistance, R (m <sup>2</sup> . K/W)	0.20 (Block only)



**MODULAR**  
MASONRY

8 Hurrell Way, Rockingham | T 9527 3201  
sales@modularmasonry.com.au

modularmasonry.com.au

