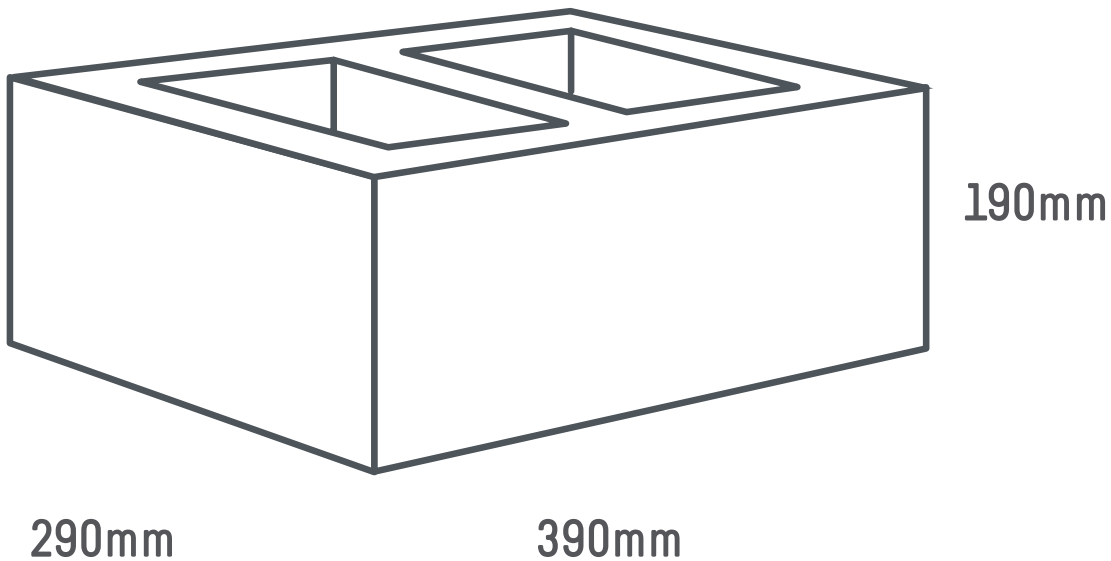


## BLOCK SPECIFICATIONS



# 324 STANDARD HOLLOW FULL

► **Manufactured by Modular Masonry**

Manufactured in accordance with:	AS3700 & AS2733
Minimum Compressive Strength Grade:	12Mpa or greater
Configuration:	290mm W x 190mm H x 390mm L
Approximate weight of block:	22.22 Kg
Approximate weight of pallet:	1598 Kg
Number per pallet:	72
Number per square metre:	12.5
A cubic metre of grout will fill approximately:	7 M2 every core
Fire Resistance (Insulation value):	180 minutes
Sound Attenuation (Bare):	STC/MASS (Kg/M2) 52/275
Density (Kg/M3):	2000 Kg/M3

The above information replaces all previous masonry brochures and is subject to change without notice.